

## Veiligheid - Sécurité - Sicherheit - Safety



- Uitsluitend voor gebruik binnenshuis.  
Installeer het armatuur enkel in ruimten waar direct contact met water onmogelijk is.
- Seulement pour utilisation en intérieur.  
Cet équipement doit être installé dans des pièces hors de toute projection d'eau.
- Nur für Innengebrauch. Diese Leuchte darf nur in Räumen verwendet werden, in denen ein direkter kontakt mit wasser nicht möglich ist.
- For indoor use only.  
This fitting should only be installed in rooms where direct contact with water is impossible.



- Toestel niet geschikt om te worden afgedekt met thermische isolatie.
- Luminaires non appropriées pour recouvrement d'un matériau isolant thermique.
- Das Gerät/ Die Leuchte darf nicht abgedeckt werden mit thermischer Isolation.
- Luminaire not suitable for covering with insulating material.

### IP20



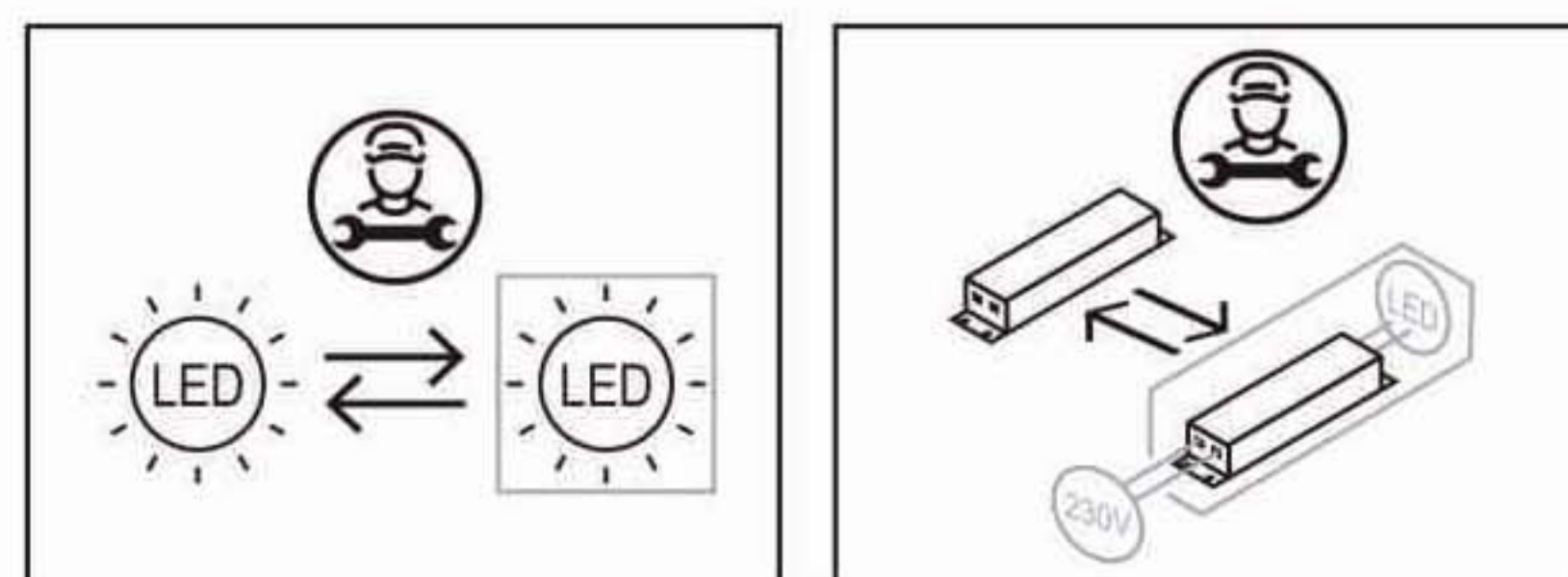
- Beschermd tegen indringen van vaste voorwerpen groter dan 12,5 mm. Geen bescherming tegen vocht.
- Protégé contre les corps solides supérieurs à 12,5 mm. Aucune protection contre humidité.
- Geschützt gegen feste Fremdkörper mit Durchmesser ab 12,5 mm. Kein Schutz gegen wasser.
- Protected against objects  $\geq$  12,5 mm. Not protected against water.

- Correcte verwijdering van dit product (elektrische en elektronische afval)
- Élimination correcte de ce produit (déchet d'équipements électriques et électroniques)
- Korrekte Entsorgung dieses Produkts (elektromüll)
- Correct disposal of this product (electrical & electronical equipment waste)

- De elektrische installatie mag alleen door bevoegd personeel worden uitgevoerd volgens de voorschriften voor elektrische en mechanische veiligheid in uw land. Onjuiste plaatsing kan ernstige letsels en/of schade veroorzaken.
- L'installation électrique doit être effectuée que par du personnel qualifié, selon les règlements de sécurité électrique et mécanique dans votre pays. Une mauvaise installation peut entraîner des blessures graves et/ou des dommages matériels.
- Die elektrische Installation sollte nur von qualifiziertem Personal nach den Vorschriften für elektrische und mechanische Sicherheit in Ihrem Land durchgeführt werden. Unsachgemäße Montage kann zu schweren Verletzungen und/oder Sachschäden führen.
- The electrical installation should be carried out by qualified personal only, according to the regulations for electrical and mechanical safety in your country. Improper installation can result in serious injuries and/or damage to property.

- Om veiligheidsredenen en garantie is het verboden om wijzigingen aan het apparaat aan te brengen.
- Pour des raisons de sécurité et garantie, il est interdit d'apporter des modifications à l'appareil.
- Aus Sicherheitsgründen und Garantie ist es verboten Änderungen an dem Gerät zu machen.
- For safety and guarantee reasons it is prohibited to make any modifications to the unit.

This product contains a light source of energy efficiency class <D>



GEBRUIKSAANWIJZING

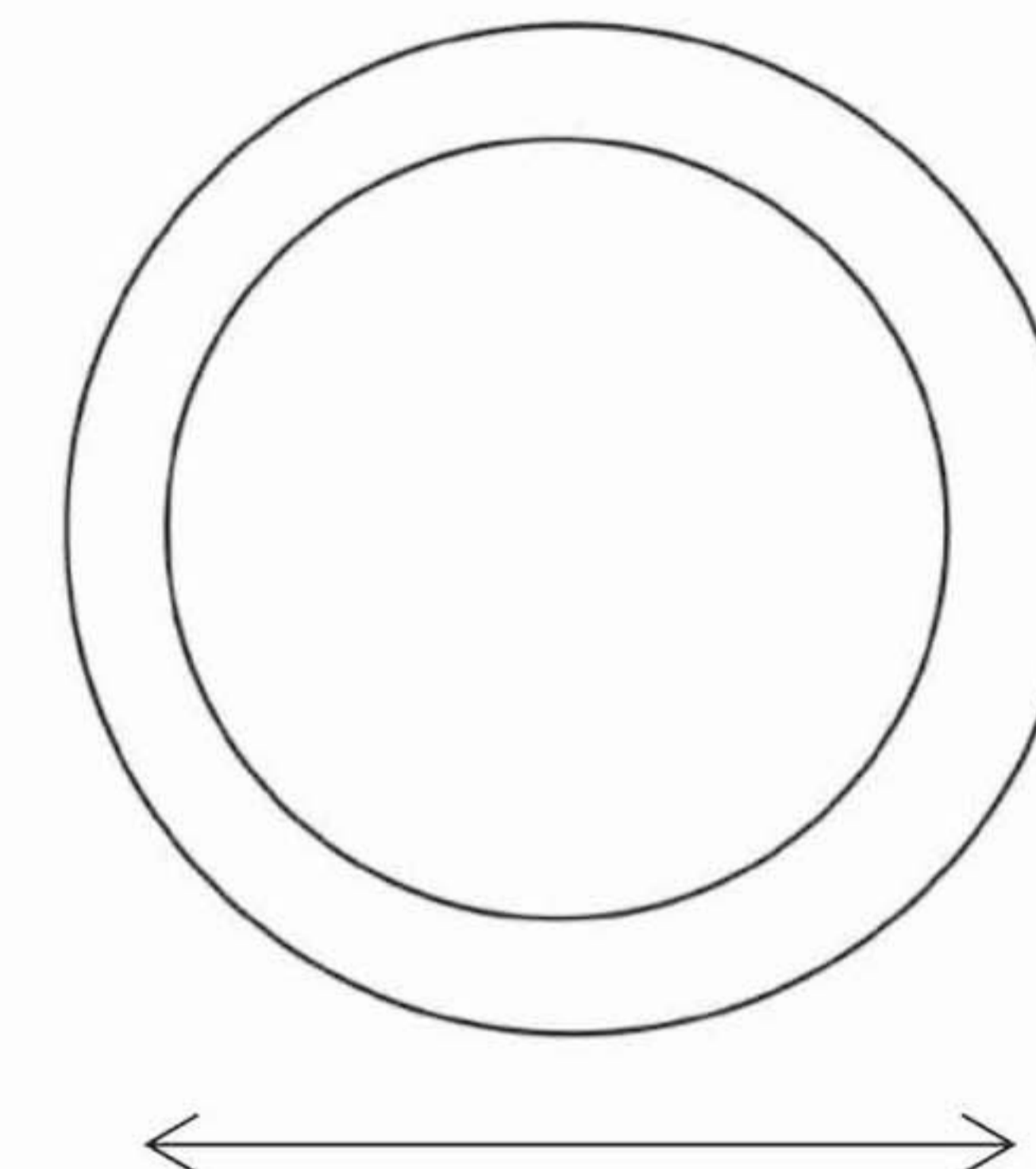
MODE D'EMPLOI

MONTAGEANLEITUNG

INSTALLATION MANUAL

# Moon

## DALI/PUSH

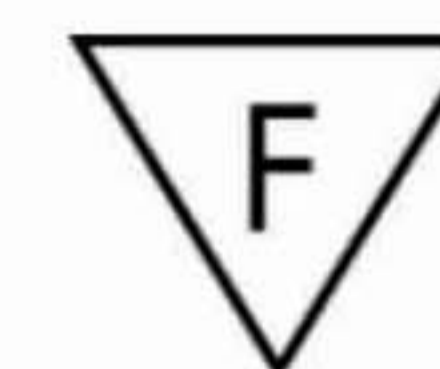


500 mm

MN50042WDD	White	Ø 500 mm	SMD LED	42W	3000 K	3100 Lm
MN50042BDD	Black	Ø 500 mm	SMD LED	42W	3000 K	3100 Lm
Incl. driver Triac dimmable						



RoHS



ErP



IP20

### Waarschuwing – Avertissement- Warnhinweise - Warning

#### • WAARSCHUWING !

Om elektrische schokken te voorkomen - Schakel altijd de elektriciteitsvoorziening uit vóór de installatie en het onderhoud.

#### • ATTENTION !

Pour éviter un choc électrique - Coupez toujours l'alimentation électrique avant l'installation et lamaintenance.

#### • WARNING !

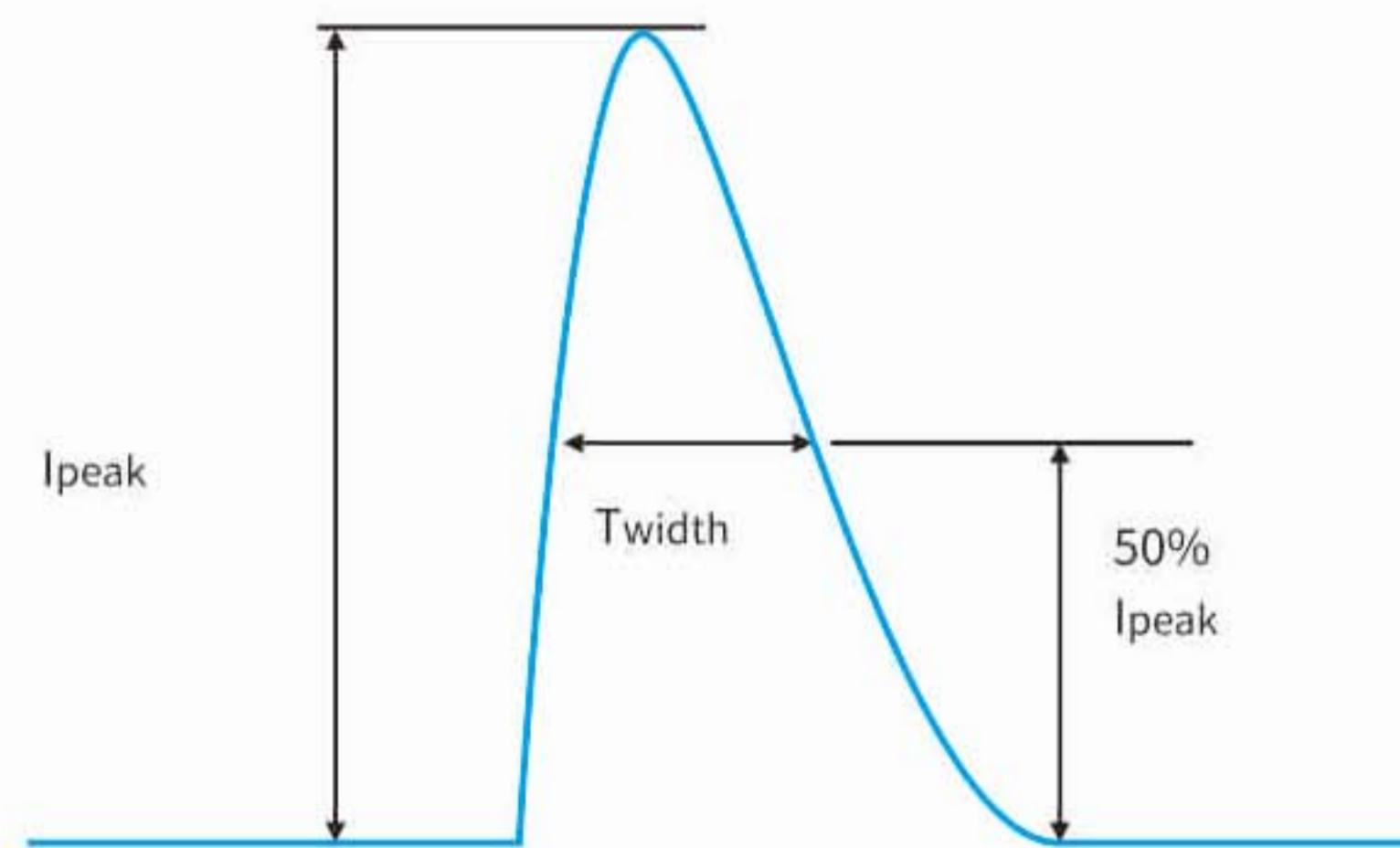
To prevent electrical shock - Always switch off electricity supply before installation and maintenance.

#### • WARNUNG !

Um einen Stromschlag zu verhindern - Schalten Sie die Stromversorgung vor der Installation und Wartung.

## Surge

Model	I <sub>peak</sub>	T <sub>width</sub>	Condition	Relative number of MCB														
				48pcs	62pcs	77pcs	96pcs	120pcs	48pcs	62pcs	77pcs	96pcs	120pcs	48pcs	62pcs	77pcs	96pcs	120pcs
MN50042WDD	6.5A	194us	AC 230V, Full load, Cold start, T <sub>a</sub> =30°C, MCB is not installed side by side	48pcs	62pcs	77pcs	96pcs	120pcs	48pcs	62pcs	77pcs	96pcs	120pcs	48pcs	62pcs	77pcs	96pcs	120pcs
MN50042WBDD				48pcs	62pcs	77pcs	96pcs	120pcs	48pcs	62pcs	77pcs	96pcs	120pcs	48pcs	62pcs	77pcs	96pcs	120pcs



### Remarks

- The number of drives mounted under different MCBs in the table is the maximum value. Please do not exceed this number during installation.
- Calculation uses typical values from ABB series S200 as a reference.
- Different brands and models of miniature circuit breakers, the number of drives mounted will be slightly different.
- If the ambient temperature of the MCB installation exceeds 30°C or multiple MCBs are installed side by side, the number of drives mounted will be reduced and the calculation needs to be recalculated.
- Electrician's usually consider Type B for household lighting and Type C for commercial lighting application.

## Functions

### Output short-circuit behaviour

- In case of a short-circuit at the LED output, the LED output is switched off.
- After restart of the LED driver, the output will be activated again.

### Output no-load operation

- The LED driver will not be damaged in no-load operation.
- The output will be deactivated and is therefore free of voltage.
- If a LED load is connected, the device has to be restarted before the output will be activated again.

### Output overload protection

- In the following two cases, the LED driver will automatically turn off the output to protect the LED
- When the driver is powered on first and the LED is connected later.
  - When the driver is powered on, disconnected and connected again.
  - After restart of the LED driver the output will be activated again.

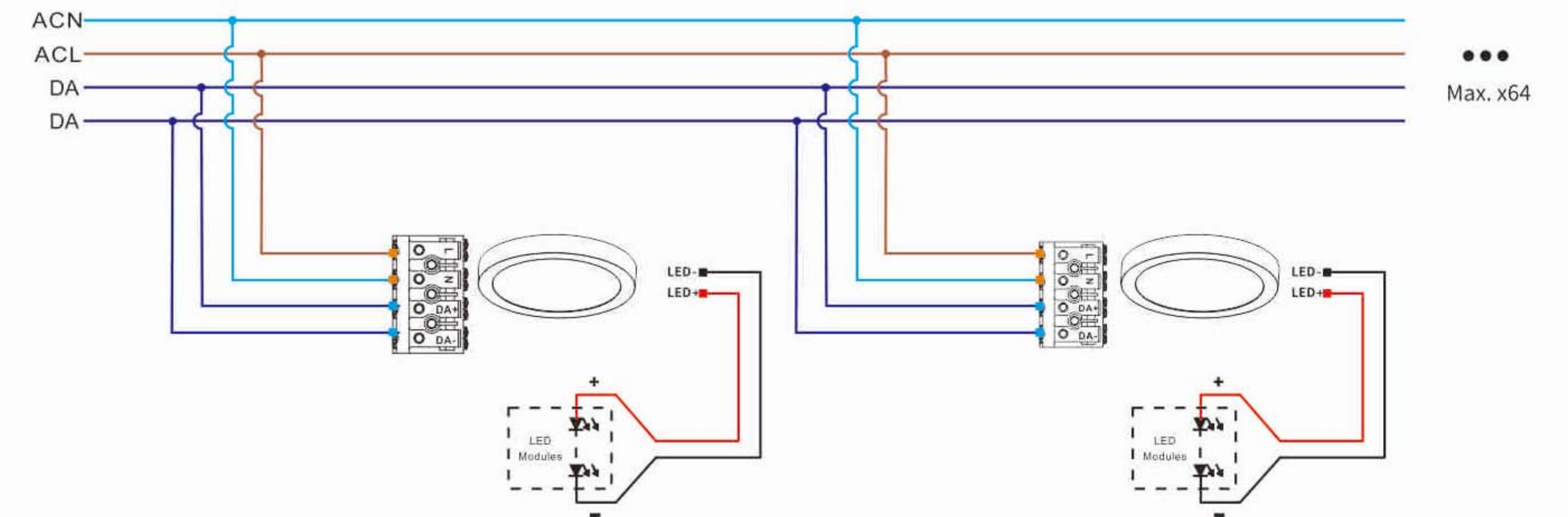
### Driver restart method

There are two ways to restart the device:

- Through the AC input port: disconnect the AC of the driver and power it again.
  - Through dimming interface.
- DALI: send "OFF" command first, then send "MAX" command.  
 pushDIM: short press PUSH switch two times, then long press PUSH switch.

## DALI dimming application

### Wiring diagram



### Activating DALI dimming mode

- After installation according to the wiring diagram of DALI dimming application, the driver will automatically switch to the DALI control mode after receiving any DALI command.

### Activating DALI dimming mode

- After installation according to the wiring diagram of DALI dimming application, the driver will automatically switch to the DALI control mode after receiving any DALI command.

### Remarks:

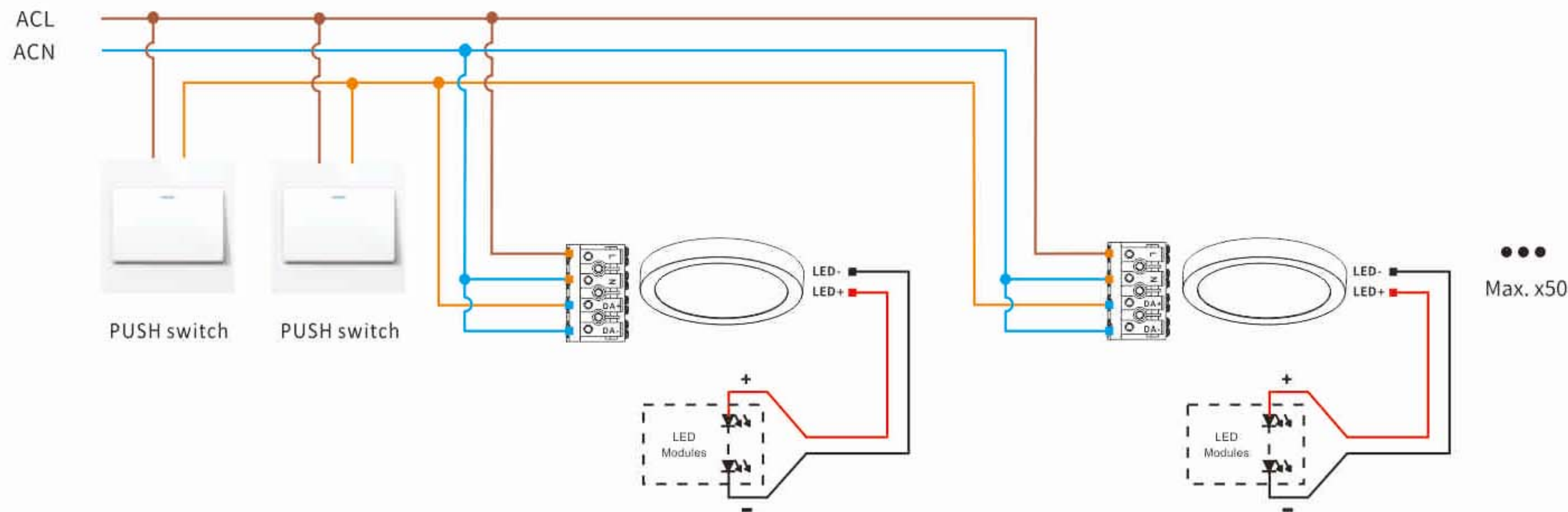
- Standard DALI control line voltage range: 9.5V to 22.5V, type 16V.
- The two DALI control lines polarity-reversible.
- Max. 64 DALI drivers per DALI control line.
- The maximum distance length of the DALI control line is 300m at 2x1.5mm<sup>2</sup>.
- DALI bus can be wired together with any mains voltage cables, but separate wiring is recommended.
- The configuration parameters of the driver can be set through the DALI configuration tool or DALI application controller during installation, such as setting device address, group address, power-on level, bus-failure level, scene level, fade time, dimming curve, etc.

### Power-on level :

When the driver is in DALI-2 dimming mode, the factory default level after each power-on is the brightest. The power-on level can be set through the DALI configuration tool or DALI application controller during installation, and can be set to memory or fixed any brightness (such as off, darkest, 50%, etc.).  
 Note: The recommended setting for the default factory power-on level of the DALI-2 driver is the brightest in the DALI-2 standard.

## Installatie - Instructions d'installation - Installation - Montage

### pushDIM dimming application Wiring diagram



### Activating pushDIM dimming mode

After installation according to the wiring diagram of pushDIM dimming application, short press the pushbutton 3 times within 3 seconds, the driver will automatically switch to pushDIM dimming mode.

### Remarks:

Max. 50 drivers per pushDIM control line.

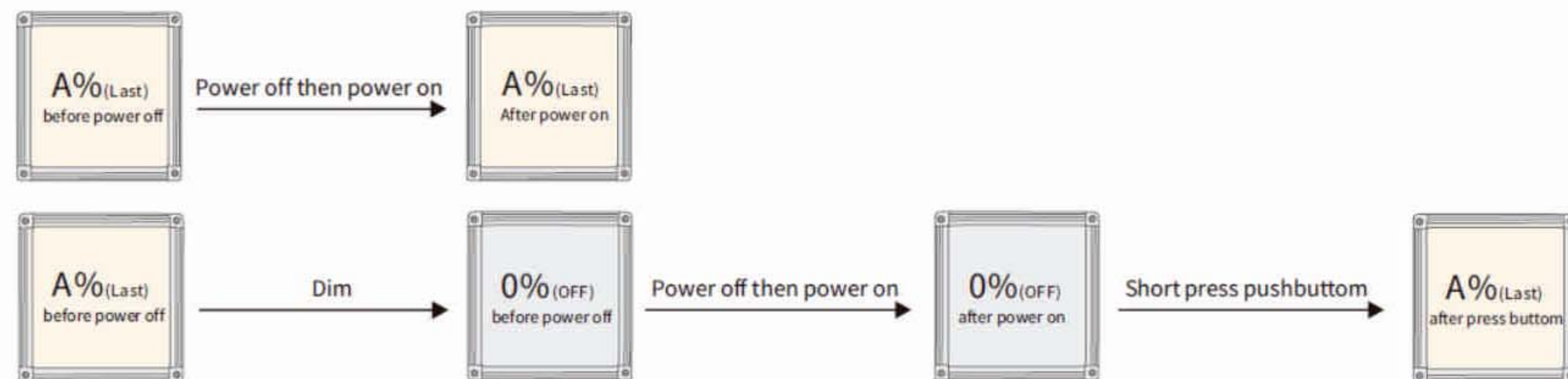
Turn on or turn off: short press pushbutton for 0.2-1s.

Dimming: long press pushbutton for 1-5s.

Power on status: after power on, the light state will be the same as the lighting on state.

If the light is on before power on, the light will be on after power on again, brightness will be the same as the last lighting on brightness.

If the light is off before power off, the light will be off after power on again, short press the pushbutton, then the light will be on, the brightness will be the same as the last brightness.



### Multiple lights synchronize control operation

method 1 :

Step 1: long press the pushbutton, confirm each light is on.

Step 2: short press the pushbutton, confirm each light is off.

Step 3: long press the pushbutton, confirm each light is from darkest to brightest and all the lights are synchronous.

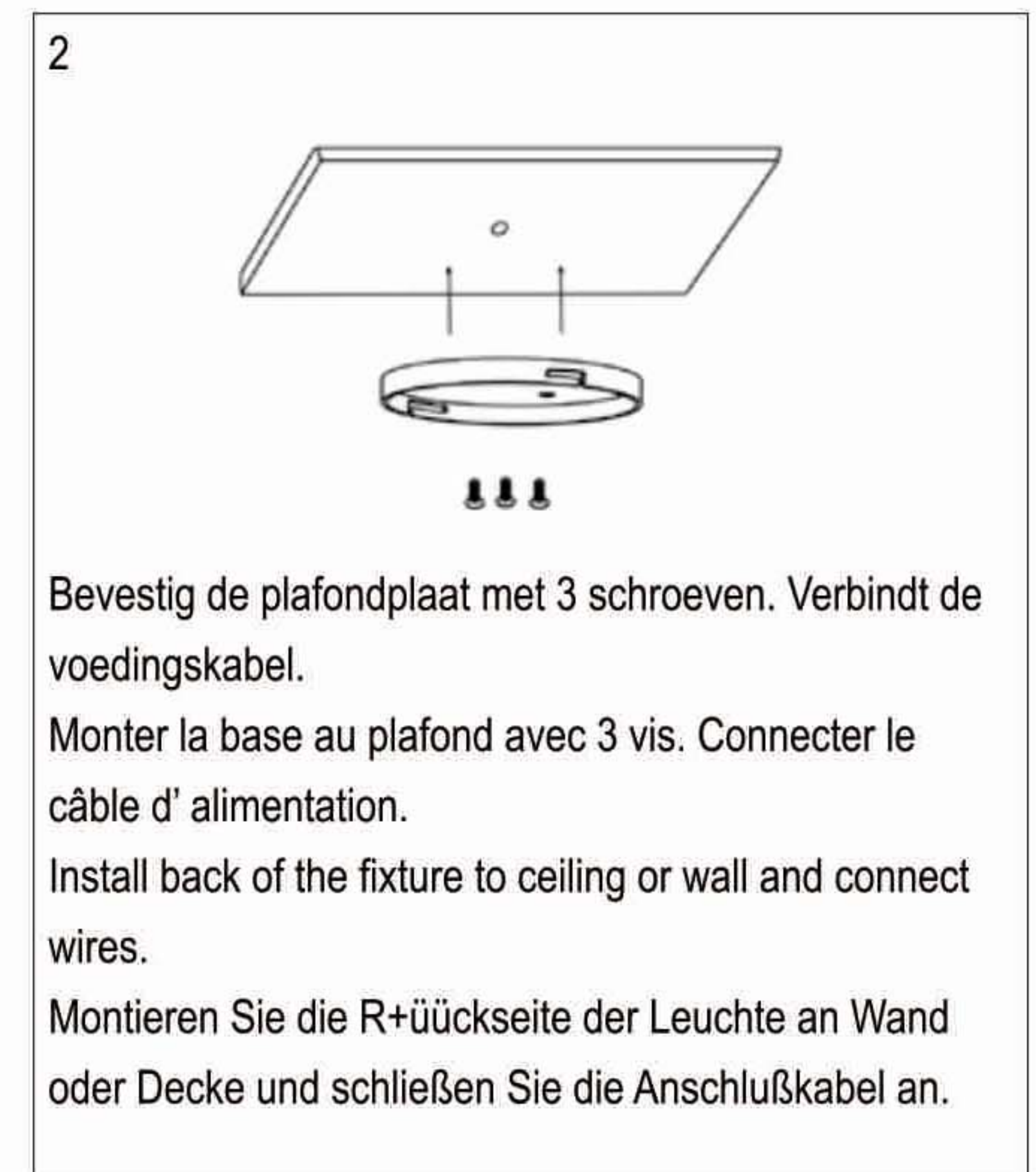
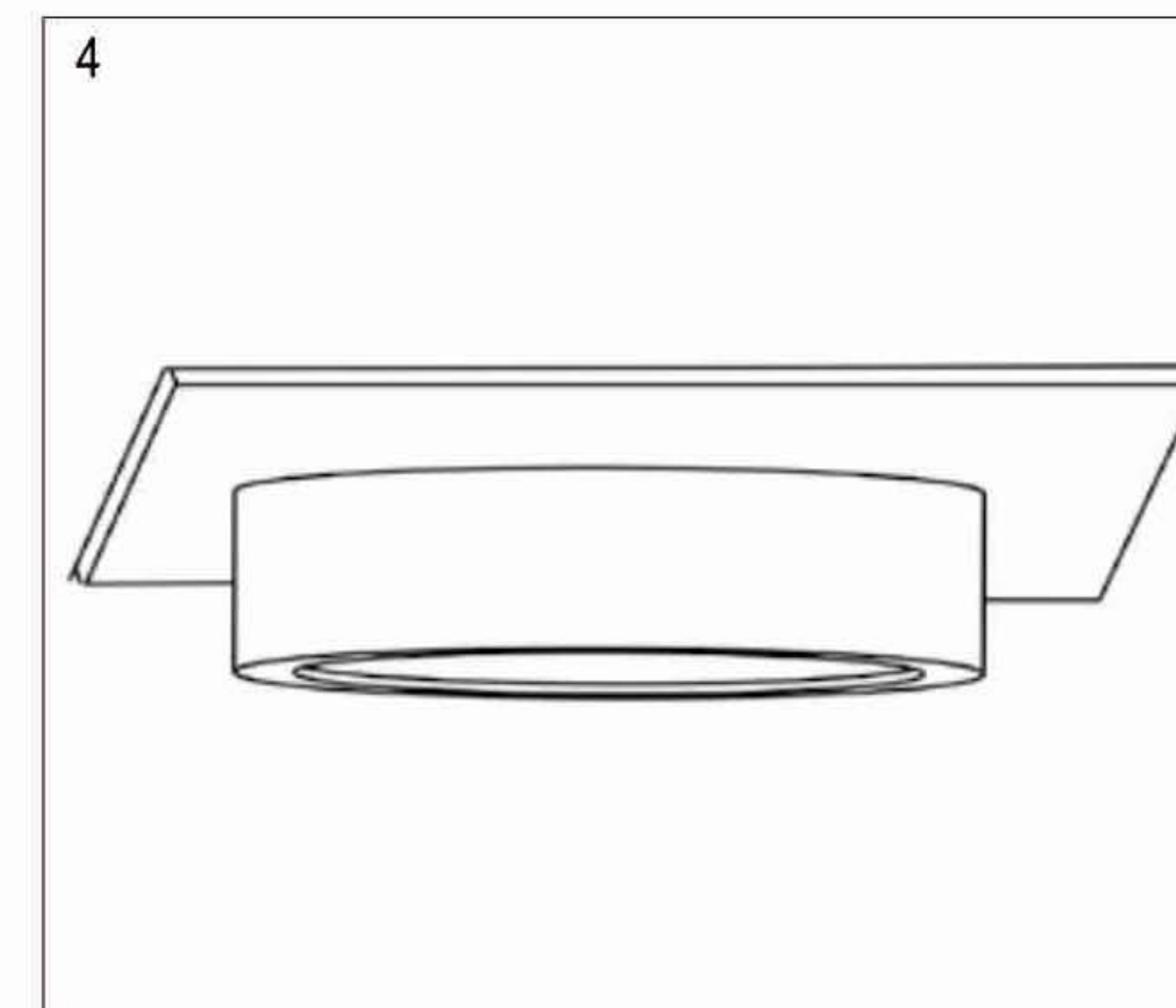
- Long press the pushbutton 15s, all lights output to the brightest state.

## Installatie - Instructions d'installation - Installation - Montage

• Volg de volgorde van de installatie stap voor stap • Suivre la séquence de l'installation, étape par étape • Please follow the sequence of installation step by step • Beachten Sie vor Inbetriebnahme unbedingt die Reihenfolge der Installationsschritte.



Percer 3 trous dans les endroits appropriés.  
Prepare 3 holes and install screw anchors.  
Bohren Sie passend 3 Löcher und bestücken diese mit den Dübeln



Monter la base au plafond avec 3 vis. Connecter le câble d'alimentation.  
Install back of the fixture to ceiling or wall and connect wires.  
Montieren Sie die Rückseite der Leuchte an Wand oder Decke und schließen Sie die Anschlusskabel an.



Placer l'anneau avec le diffuseur sur la base.  
Put the cover back on the fixture.  
Bringen Sie den Abdeckungsring mit Opalscheibe wieder am montierten Rückseite an.

